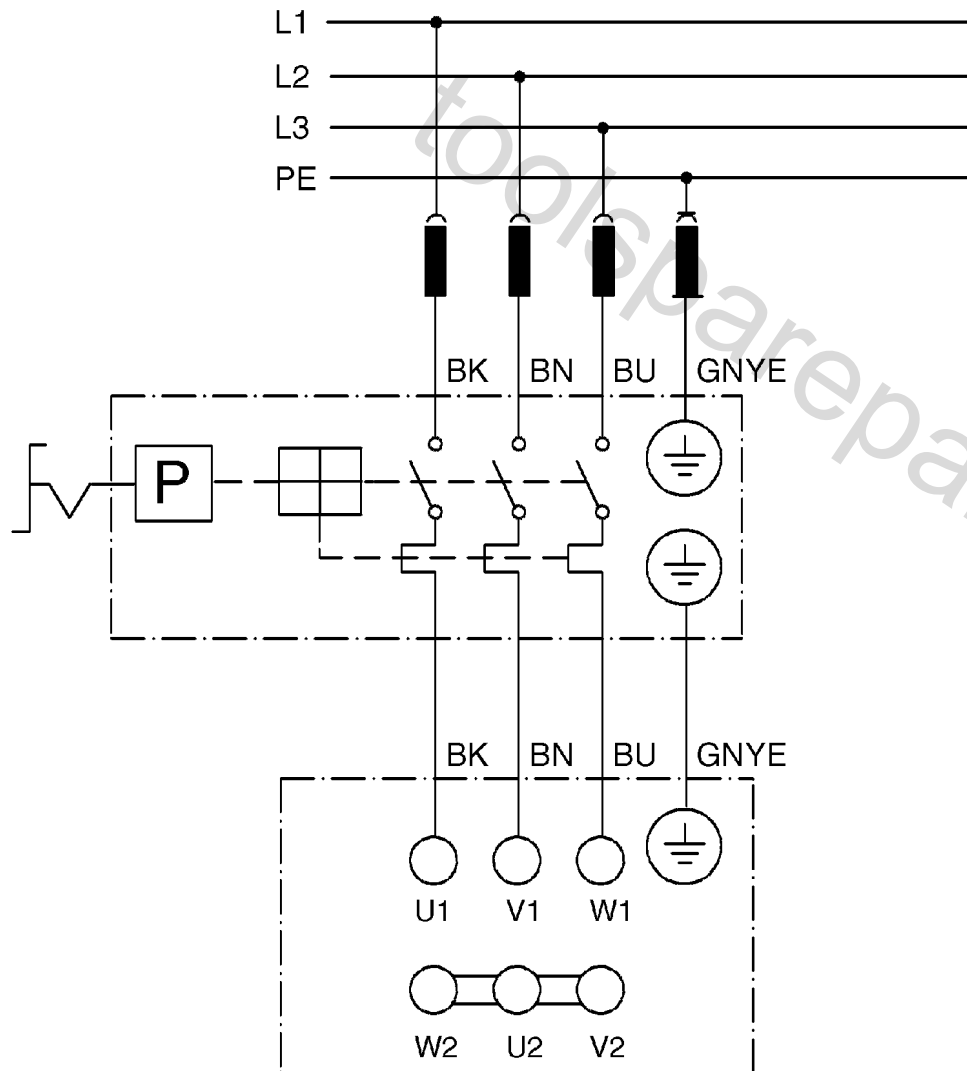


Position	Amount	Type number	Description	PG
1	18	141150050	Washer	10
2	2	6103005270	HEXAGON HEAD SCREW M 10X20 VERZ.	10
3	1	7871027042	REDUCER NIPPL 1 1/4"X1/2" NR.241 / VERZ.	19
4	2	6202002313	HEXAGON NUT, PREV. TORQUE TYPE	10
5	1	7871675990	THREADED PLUG 1" NR.596 / VERZ.	20
6	1	7830029286	DRAIN VALVE R 1/2"	31
7	2	7271663832	SWIVEL PLATE CASTER RD 75X25 M.FESTSTELL	28
8	2	6127609460	HEXAGON SOCKET HEAD CAP SCREW M 10X25 VE	10
9	2	6202024139	HEXAGON NUT, PREV. TORQUE TYPE	10
10	2	6305002508	WASHER B 13 VERZ.	10
11	2	7270663812	WHEEL, PNEUMATIC TYRE RD 300/100	39
12	2	6300016705	Washer	10
13	2	6103001275	HEXAGON HEAD SCRE M 12X100 VERZ.	13
14	4	6103001259	HEXAGON HEAD SCREW M 10X40 VERZ.	10
15	1	7853663993	STEEL MESH HOSE NW13X500/16BAR M26X1,5 /	40
16	1	1001676705	CHECK VALVE, ELBOW TYPE R 1/2"X RD 18 M.	36
17	1	8402415682	CABLE, RUBBER JACKET,WITH PLUG A=CEE16A	37
18	2	1341630874	HANDLE	20
19	6	6172039616	CROSS REC'D PAN HEAD TAP.SCREW ST 3,5X19	10
20	1	1317677835	HANDLE TUBE RDA 20X1,5X1231 GEBOGEN	40
21	1	1001678430	HOSE COIL ASSEMBLY ET	54
22	1	7871026968	REDUCER NIPPL 1"X1/2" NR.241 / VERZ.	16
23	1	7802009105	Quick COUPLER, SLEEVE R 1/2" AG	
24	1	1341645472	HOSE CLAMP	10
32	2	1341634594	BEARING BLOCK	13
33	1	7872675854	ELBOW TAP CONNECTOR R 1/4"A X 10MM M.O-R	25
34	1	1341634608	CRANK	13
40	1	7872675854	ELBOW TAP CONNECTOR R 1/4"A X 10MM M.O-R	25
41	1	8101190820	AUTOM.PRESS.CONTR.SWITCH ASS'Y MDR 3/11	55
42	1	8401664077	CABLE, RUBBER JACKET, W/O PLUG A=70 GE/G	18
43	1	7834664121	RELIEF VALVE EV3 S	26
44	2	7851190842	PLASTIC HOSE BLACK RD 6X1X1000 SCHWARZ	17
45	2	7230663941	V-BELT SPA 1757	30
46	4	6127056666	HEXAGON SOCKET HEAD CAP SCREW M 10X35 VE	12
47	1	8013663905	ELECTRIC MOTOR 400/3/50 2800UPM B3 /M.KL	67
48	14	6209675984	FLANGE NUT M 10 VERZ./VERZAHNUNGS-AUF	10
49	2	6202002291	HEXAGON NUT, PREV. TORQUE TYPE	10
50	2	141151940	Washer	10
51	2	7872190850	ELBOW TAP CONNECTOR 1/8" X RD 6	24
52	2	6209110995	Flange nut	10
53	1	7851675935	PLASTIC HOSE RD 6X2X100000 DRUCK./HITZEB	25

54	13	6143661561	Fillister head screw w.flange	10
56	1	316050470	REPAIR KIT ENCLOSURE	
57	1	1001678422	SPACER PLATE, ASS'Y ET	38
58	1	7821675833	SERVICE UNIT FRL 1/4"/0-14BAR	62
59	2	6103001127	Hex head screw	10
60	1	7833009618	SAFETY VALVE R 1/4" 11 BAR	33
61	1	7872663090	ELBOW TAP CONNECTOR 1/4" A X 6MM M.O-RING	23
62	1	7871664190	TUBE FITTING 1/2" I X 1/2" A LÖSBAR	25
63	1	7812052440	PIPE NIPPL 1/2" X150 VERZINKT	19
64	1	1312679589	CONNECTING PLATE BL 2,00X16X119	16
65	1	7243676686	LOCKING BUSH 2012-28 / NUT 8 MM TAPER	26
66	2	7240663974	V-BELT PULLEY TBA 180-2-2012	39
67	1	6721608849	FEATHER KEY A 8X7X35 ET	10
68	2	141114860	Hexagon head screw	12
69	2	141151340	Washer	10
70	2	1001697303	INTEGRATED PRESSURE GAUGE RD 40 R1/8" I 0	31
71	1	1001678414	RETENTION PLATE, ASS'Y ET	39
73	1	1312713981	FAN COVER BAUGRÖßE 100/ET MEGA 600/700/7	33
74	1	1312713973	FAN WING BAUGRÖßE 100/ET MEGA 600/700/71	30
100	1	1313650223	COMPRESSOR PUMP B 5900/B LÜFTERRAD BEARB	69
101	1	1319164258	PISTON RING RD 55X2 ET	30
102	1	1319164266	PISTON RING RD 55X2 ET	31
103	2	1319164274	OIL WIPING RING RD 55X4 ET	32
104	1	1319161844	PISTON, HP RD 55	48
105	1	1315161858	GUDGEON PIN RD 18X45 ET	27
106	4	6401627209	CIRCLIP FOR BORES 18X1 ET	10
107	2	1319161836	CONNECTING ROD ASSEMBLY ET	46
108	1	1319636281	INTERMEDIATE COOLER ET	26
109	2	7833626781	SAFETY VALVE R 1/4" 4,0-4,5BAR ET	25
111	1	7635638910	ROTARY SHAFT SEAL 30x42x7 ET	25
112	1	1319155852	FLYWHEEL RD 430 ET	54
113	1	1315166400	WASHER 8,5X30X5 ET	19
114	1	6121000839	Cap screw	10
115	1	1319650594	CYLINDER HEAD ET	55
116	1	1319156247	CYLINDER HEAD GASKET ET	32
117	1	1319156204	VALVE ASSEMBLY ET	61
118	1	1310157097	CYLINDER ET	65
119	1	7825156318	AIR FILTER ET	32
120	1	1315161874	GUDGEON PIN RD 18X95 ET	31
121	1	1319161860	PISTON, LP RD 105	54
122	1	1319164339	OIL WIPING RING RD 105X5,5 ET	38
123	1	1319164320	PISTON RING RD 105X2,5 ET	32

124	1	1319164312	PISTON RING RD 105X2,5 ET	31
125	1	1319161747	PACKING, AFTERCOOLER ET	26
126	1	1313631792	AFTERCOOLER ET	51
127	1	1319155909	CRANKCASE BREATHER 3/8" ET	28
128	1	1319162000	CYLINDER FOOT GASKET ET	26
130	1	1319164525	PACKING, BEARING CAP ET	15
131	1	1319155879	OIL SIGHT GLASS 1" ET	25
133	1	1319164460	CRANKCASE PACKING ET	32
136	4	1319166714	CONROD BEARING SHELL ET	30
137	4	6202002305	HEXAGON NUT, PREV. TORQUE TYPE	10
138	2	1319164789	OIL SPLASH NEEDLE ET	16
139	1	1319156239	CYLINDER GASKET ET	30
140	1	1319156212	PACKING, VALVE PLATE ET	34

areparts.com.au



	Litzenfarben	Colour of strands	Couleur des cordons
BK	schwarz	black	noir
WH	weiß	white	blanc
BU	blau	blue	bleu
YE	gelb	yellow	jaune
RD	rot	red	rouge
TR	transparent	transparent	transparent
BN	braun	brown	brun
GY	grau	grey	gris
GNYE	grün-gelb	green-yellow	vert-jaune
BKWH	schwarz-weiß	black-white	noir-blanc
GN	grün	green	vert
OG	orange	orange	orange
VT	violett	violet	violet
TQ	türkis	turquoise	turquoise

	Bedeutung der Kurzzeichen	Meaning of the symbols	Interprétation des symboles
B	Stecker	plug	fiche
C	Kondensator	condenser	condensateur
D	Funkentstördrossel	interference suppression inductance	inductance d'antiparasitage
E	Elektronik-Baustein	electronic unit	unité électronique
I	Induktionsspule	induction coil	bobine d'inductance
K	Klemme	terminal	borne
L	Licht	light	lumière
M	Motor	motor	moteur
O	Überlastschutz	overload cut-out	déclencheur de surintensité
R	Drehrichtungsumschalter	reversing switch	commutateur droite-gauche
S	Schalter	switch	interrupteur
U	Umschalter	change-over switch	commutateur
X	Elektronik-Element	electronic element	élément électronique